

1 2 3 4 5 6 7 8 9 10

A

B

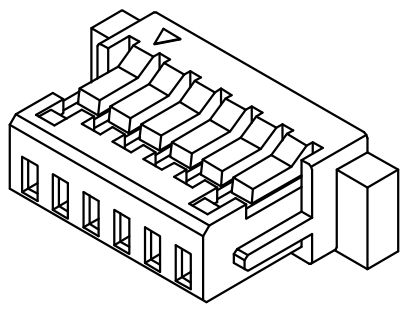
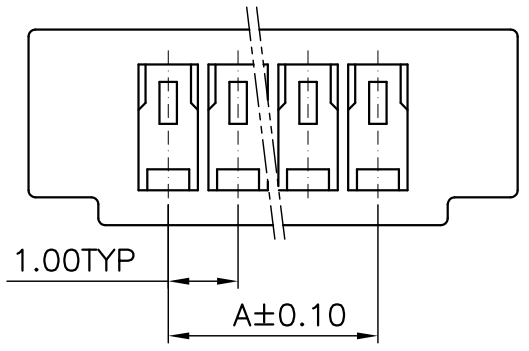
C

D

E

F

G

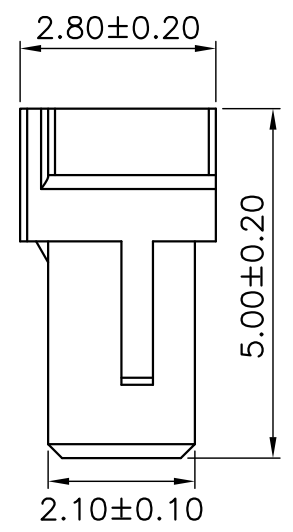
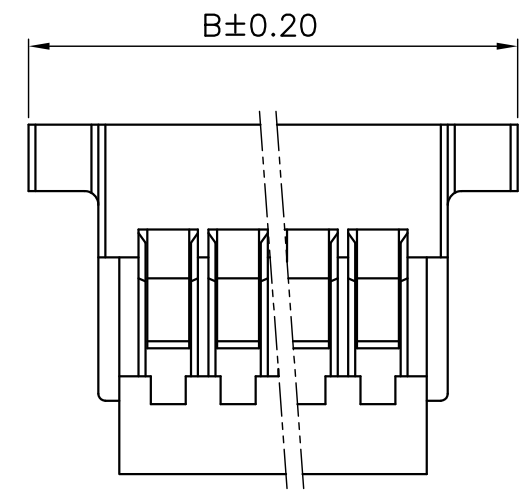


SPECIFICATIONS

Voltage rating: 50V AC,DC  
 Current rating: 1.0A AC/DC (AWG#28)  
 Withstanding Voltage: 500V AC/minute  
 Insulation resistance: 100M Ωmin  
 Temperature range: -25 °C - +85°C  
 Contact resistance: 20m Ω

HOUSING

Part No: SCT1001H-XX  
 Poles: 2-20  
 Material: PBT+15% Glass Fiber  
 Q' TY: 1000 pcs/bag



PART NO	DIMENSION	
	A	B
SCT1001H-02	1.00	5.00
SCT1001H-03	2.00	6.00
SCT1001H-04	3.00	7.00
SCT1001H-05	4.00	8.00
SCT1001H-06	5.00	9.00
SCT1001H-07	6.00	10.00
SCT1001H-08	7.00	11.00
SCT1001H-09	8.00	12.00
SCT1001H-10	9.00	13.00
SCT1001H-11	10.00	14.00

PART NO	DIMENSION	
	A	B
SCT1001H-12	11.00	15.00
SCT1001H-13	12.00	16.00
SCT1001H-14	13.00	17.00
SCT1001H-15	14.00	18.00
SCT1001H-16	15.00	19.00
SCT1001H-17	16.00	20.00
SCT1001H-18	17.00	21.00
SCT1001H-19	18.00	22.00
SCT1001H-20	19.00	23.00

H

A

B

C


D

E

F

G

H

					OPERATION	DRAW	Micky.Liu	2006/05/02	SCALE		 森康达电子有限公司 S'CONDAR ELECTRONIC LIMITED		
					~ 10 ±0.15	DESIGN			UNIT	mm			
					20 ~ 30 ±0.30	CHECK	Judy.Huang	2006/05/02	SIZE	A4		PART NO.	SCT1001H-XP
0	05/12/27	NEW			30 ~ ±0.50	APPROVE	Hellen.Li	2006/05/02	SHEET	1/1		TITLE:	SH1.0 HOUSING
REV	DATE	MODIFICATION DESCRIPTION	CHANGE	APPROVE	Angle ± 2'				PROJ.	↺		DRAWING NO.	SCT1001

1 2 3 4 5 6 7 8 9 10