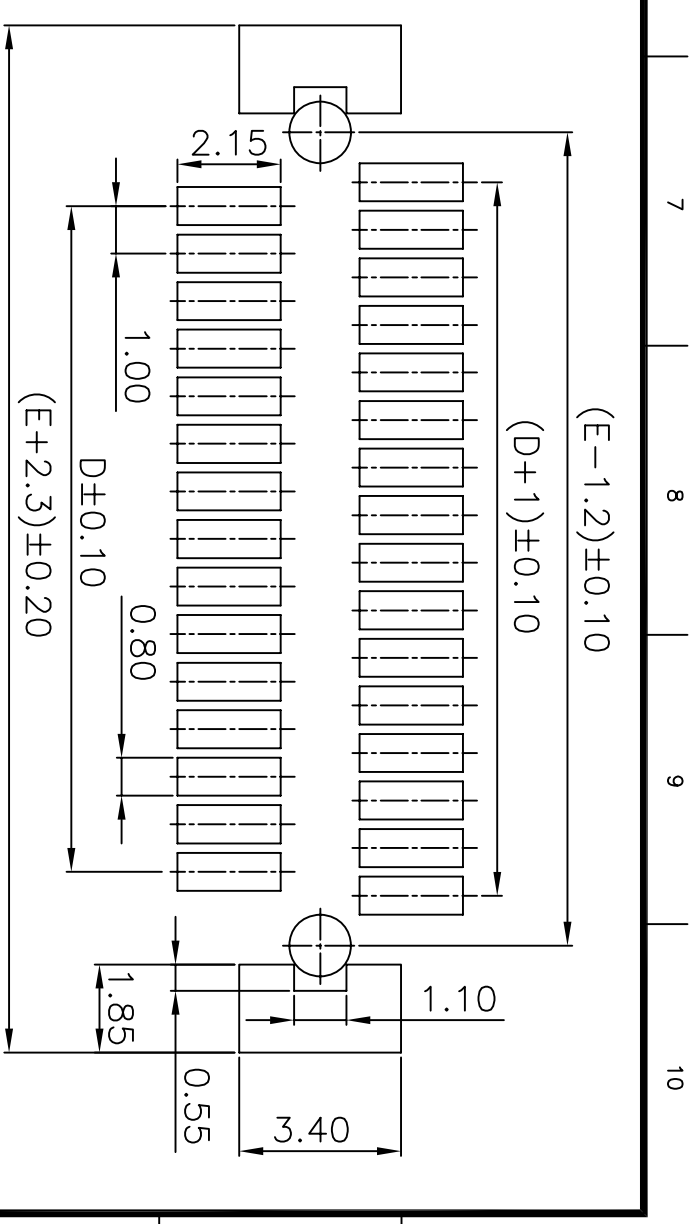


ASSEMBLY



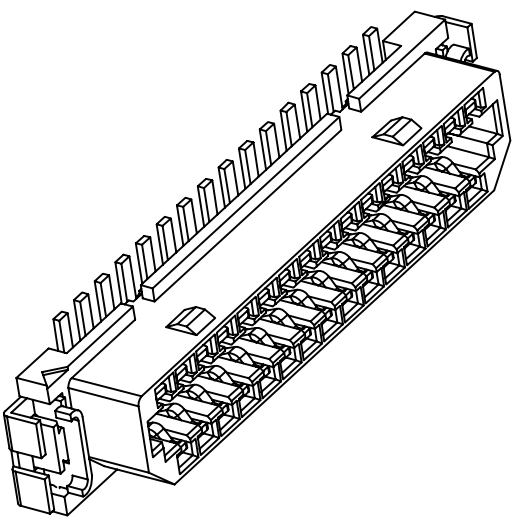
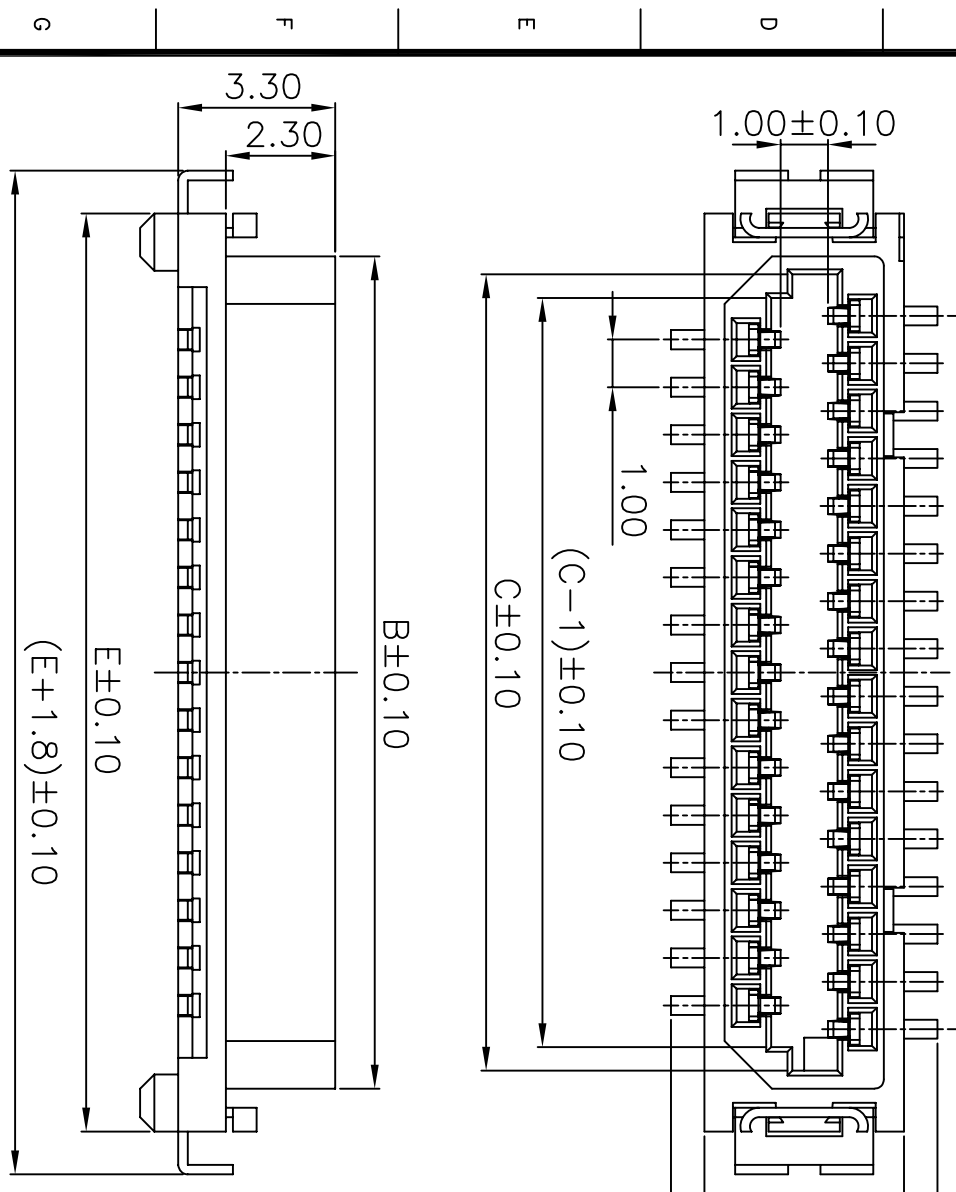
P.C.B Layout

SPECIFICATIONS

Voltage rating: 50V AC, DC
 Current rating: 1.0A AC/DC
 Withstanding Voltage: 250V AC/minute
 Insulation resistance: 100MΩ/min
 Temperature range: -25°C - +85°C
 Contact resistance: 50mΩ

HOUSING

Part No: SCT1008WVF-S-XXP
 Material: LCP, UL94V-0



PART NO.	Dimensions				
	A	B	C	D	E
SCT1008WVF-S-31	10.00	17.50	16.50	14.00	19.30
SCT1008WVF-S-41	15.00	22.50	21.75	19.00	24.30
SCT1008WVF-S-51	20.00	27.50	26.75	24.00	29.30

OPERATION	~ 10	±0.15	DRAW	Judy.Huang	2006/05/02	SCALE	mm	 森康达电子有限公司 SCONDAR ELECTRONIC LIMITED
DESIGN	20 ~ 30	±0.30	CHECK	Micky.Liu	2006/05/02	A4	PART NO.	
ANGLE	30 ~	±0.50	APPROVE	Hellen.Li	2006/05/02	1/1	TITLE:	HRS DF9 1.0 180C SMT FEMALE WAFER
DATE	05/12/27	NEW	CHANGE			PROJ.	SC11008	SC11008
REV	0	MODIFICATION DESCRIPTION	APPROVE			DRAWING NO.		